

GLÖTZL Baumeßtechnik

CELLS for EARTH PRESSURE

load limit 20 bars

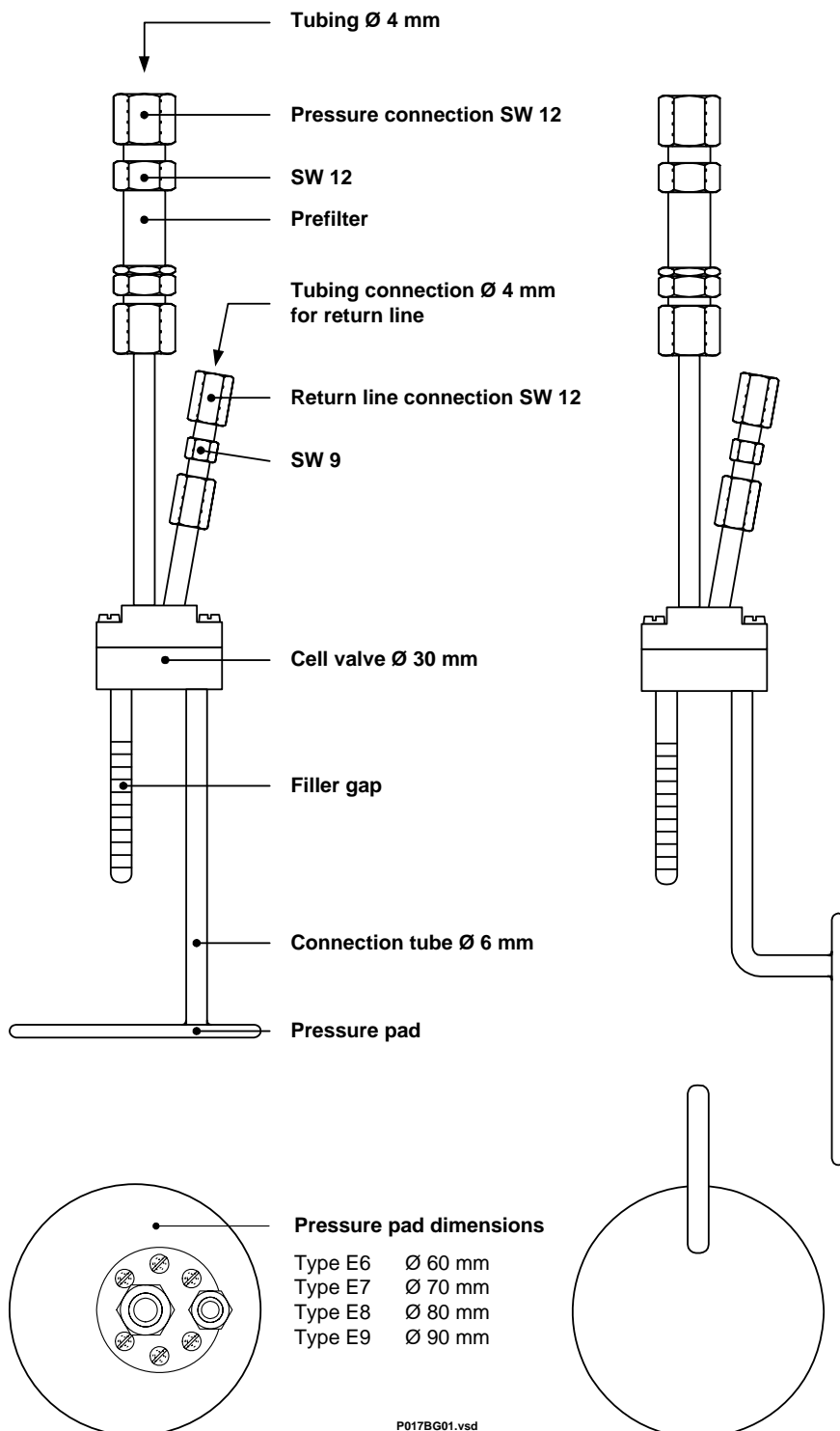
Arrangement of valves

Type E 6 – (9)

Art.-Nr.: 17.01

Model C

Model A



P017FO01.cdr

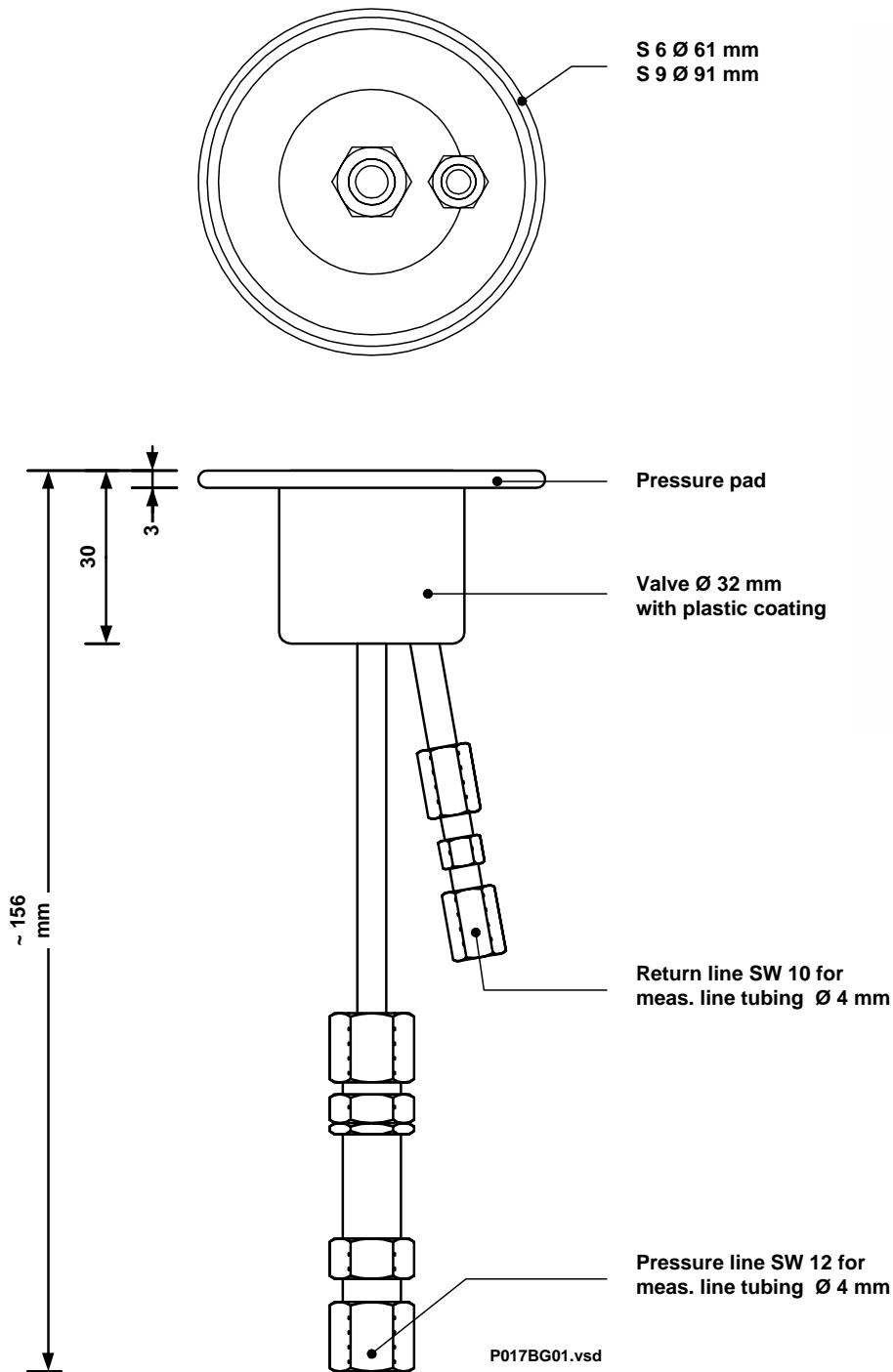
Figure: Type E6 KF20
Model A

Cells for FORMWORK PRESSURE,

load limit 20 bars, for air and oil operation

Type S 6 – (9)

Art. No.: 17.10



P017FO02.odr

Figure.: Type S10 KF20