

GLÖTZL Baumeßtechnik

ELECTRIC STRESS TRANSDUCER Front Membran Cell

Type: EESK . .
Art. No.: 68.40. .

The electric stress transducer is constructed for measurement of stresses and liquid pressures up to max. 600 bars. The models are designed for **bulkhead** assembly, e.g. applications at tunnel drilling machines, in container construction at bulkhead plates and for pressure recording in tubes during material transport.

In a pressure pad which is connected to an electric transducer, a hydraulic fluid is existing in a closed system. When loading the pressure pad, the corresponding hydraulic pressure is transferred to the diaphragm of the electric transducer and transformed into a stress proportional to the load.

EESK 6,2/12

Pressure pad size \varnothing 62 mm



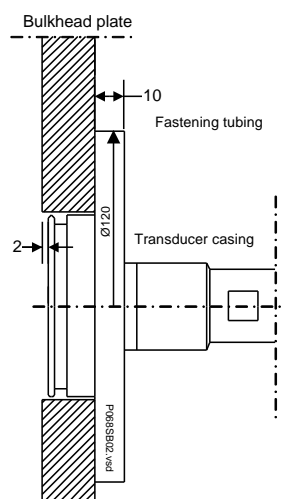
Types

EESK 6,2/12	Pressure pad \varnothing 62 mm, flange \varnothing 120 mm
EESK 6,2/6,2 VE	Pressure pad \varnothing 62mm
EESK 8,6/14/6,5 VE/R or /RC	Pressure pad \varnothing 86 mm, flange \varnothing 140 mm, installation depth 65 mm
EESK 8,6/14/4,5 VE/S	Pressure pad \varnothing 86 mm, flange \varnothing 140 mm, installation depth 45 mm
EESK 5/9 V	Pressure pad \varnothing 49.9 mm, flange \varnothing 90 mm

Available load ranges

1 / 2 / 5 / 10 / 20 / 50 / 100 / 200 / 400 and 600 bars

Assembly example



Technical data	Standard	4 – 20 mA
Supply voltage	4 mA (10 V DC)	10 – 30 V
Output signal	0 – 1000 mV	4 – 20 mA

Overload security:

1 up to 200 bar	50 % f.s.
400 and 600 bars	20 % f.s.

Linearity and hysteresis: < ± 0.5 % f.s.

Special models on client's request

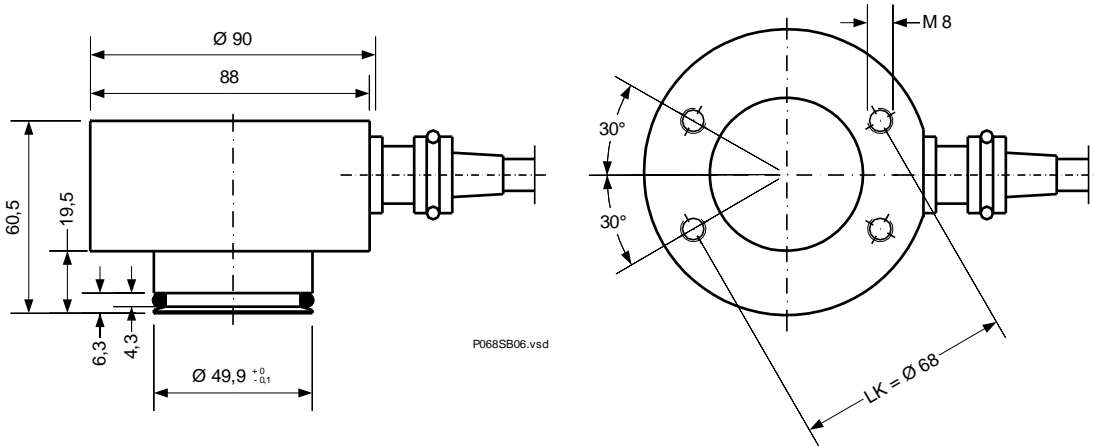
The following instruments are available for recording of the transducers:

- Battery-operated readout unit
- Intermediate amplifier for remote transfer
- Manually operated change-over manifolds
- Automatic measuring and recording devices with data carrier resp. memory

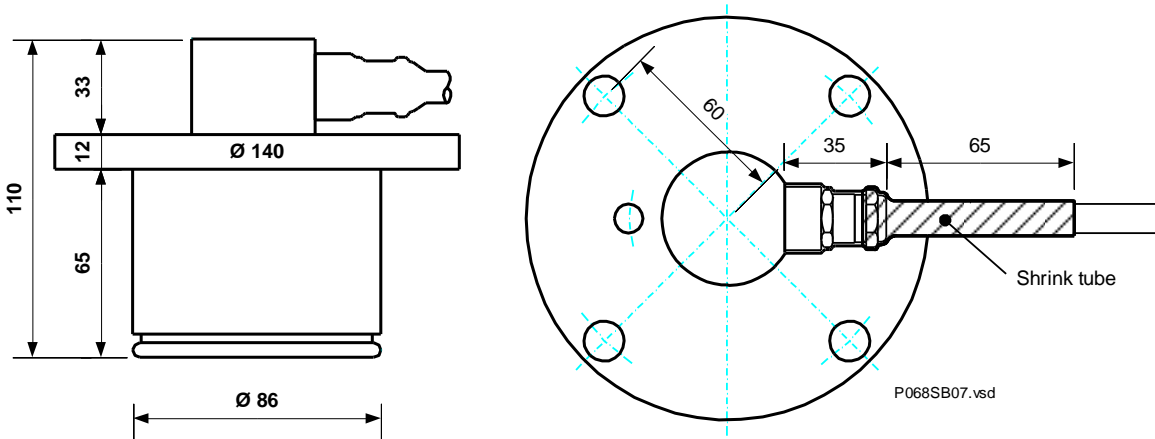
Further models on request

The special measuring cable with screen is sealed at the transducer for delivery in required length, max. 300 m (without amplifying unit).

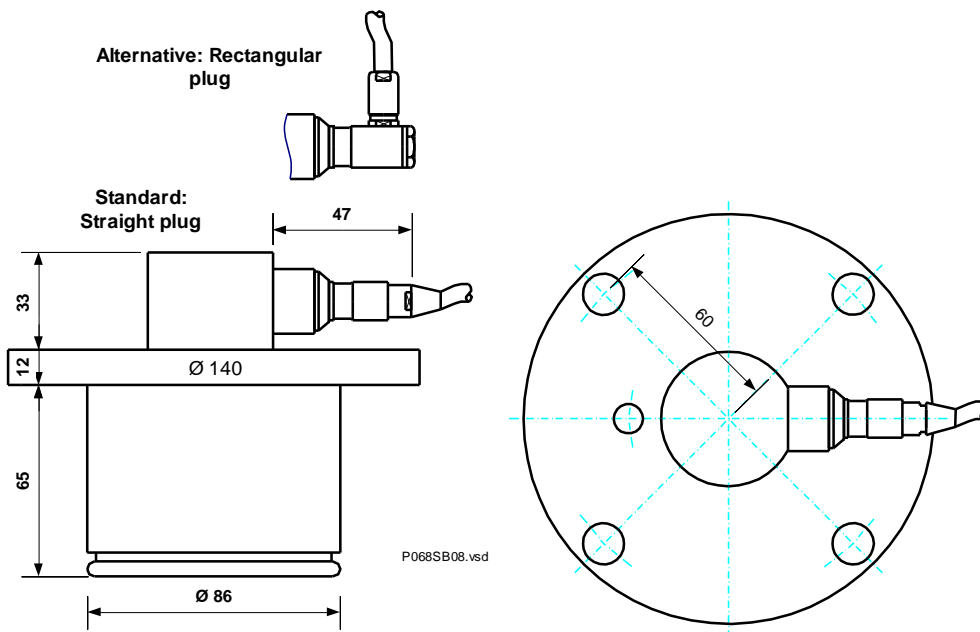
Type EESK 5/9 V Pressure pad size \varnothing 49,9 mm



Type EESK 8,6/14/6,5 VE/R Pressure pad size \varnothing 86 mm



Type EESK 8,6/14/6,5 VE/RC Pressure pad size \varnothing 86 mm



Stress Transducer for Pipe Pressure Measurement Type EESK 5/9 V

Pressure pad size \varnothing 49.9 mm



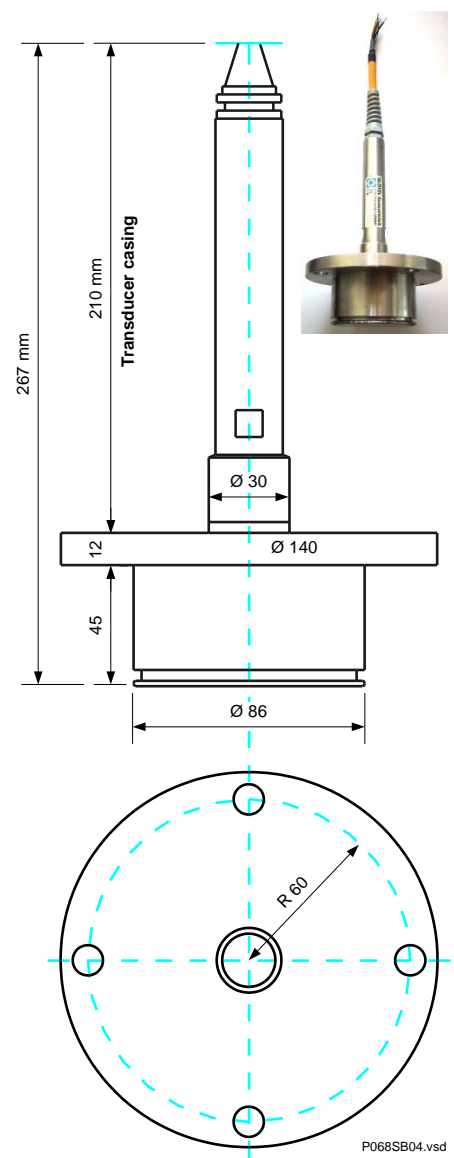
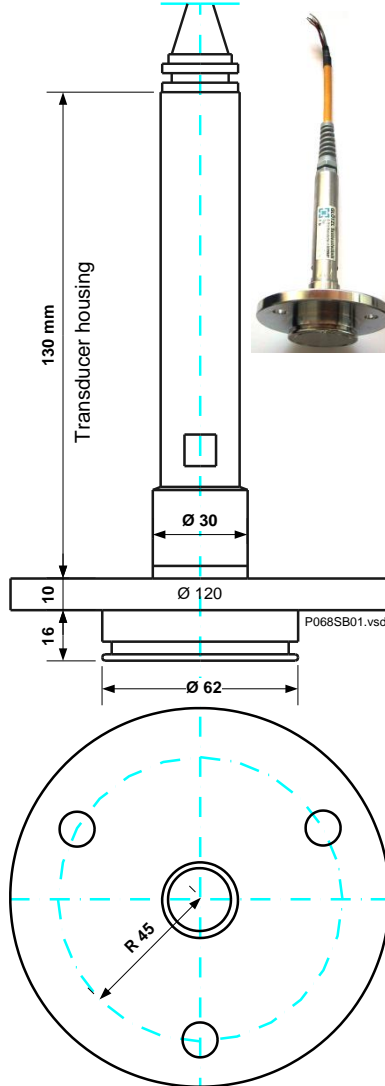
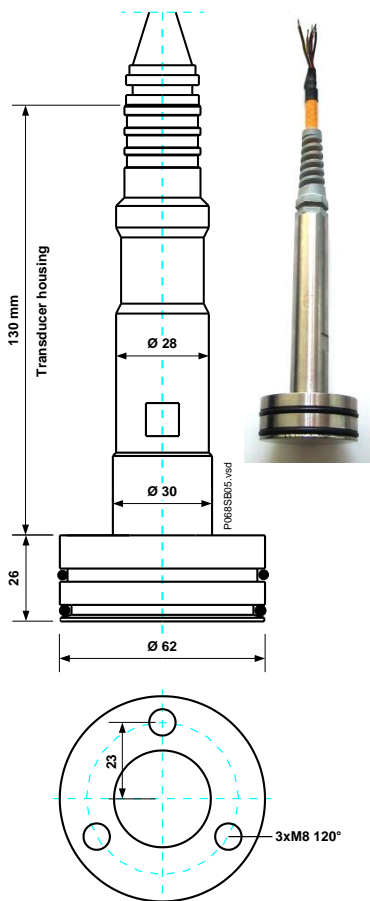
Type EESK 5/9 V



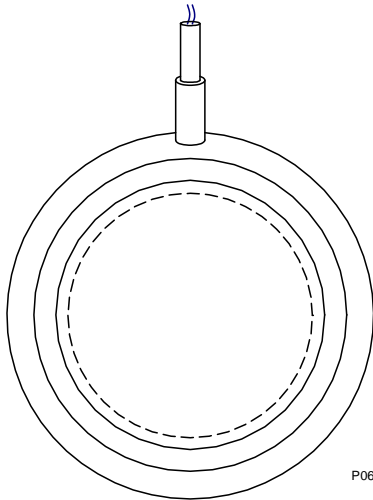
Type EESK 6,2/6,2 VE
Pressure pad size \varnothing 62 mm

Type EESK 6,2/12
Pressure pad size \varnothing 62 mm

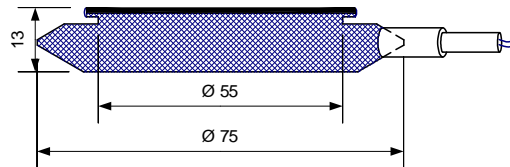
Type EESK 8,6/14/4,5 VE/S
Pressure pad size \varnothing 86 mm



We can deliver specially modified or adapted models after presentation of an installation sketch.

Earth Pressure Cells for Model Tests Type EESK 5/7,5/1,2 K... Pressure pad size Ø 75 mm**Available load ranges:****Absolute transducer:** 1 / 2 / 5 / 10 / 20 and 50 bars**Air pressure compens. transducer:** 1 / 2 / 5 / 10 and 20 bars

P068SB09.vsd

**Technical data:****Supply voltage:** (10 V DC) 4 mA**Output signal:** 0 – 1000 mV**Overload security:** 50 % f.s.**Linearity and hysteresis:** < ± 0.5 % f.s.**Pore Water Pressure Cell for Model Tests Type EPK 4/7/1,5 K... Sint. metal filter Ø 40 mm****Available load ranges:****Absolute transducer:** 1 / 2 / 5 / 10 / 20 and 50 bars**Air pressure compens. transducer:** 1 / 2 / 5 / 10 and 20 bars**Technical data:****Supply voltage:** (10 V DC) 4 mA**Output signal:** 0 – 1000 mV**Overload security:** 50 % f.s.**Linearity and hysteresis:** < ± 0.5 % f.s.