

# GLÖTZL Baumeßtechnik

## INCLINOMETER INTERFACE

Type: NDI 11/12

Art. No.: 75.10.12/13

The NDI 11/12 is used for online – measurement of Glötzl digital inclinometer and Glötzl compass probe. The NDI 11/12 is performing two functions: On the one hand, the NDI 11/12 is delivering the energy supply of the inclinometer, and on the other hand the digital signal of the inclinometer is transferred to the standard RS232 interface.



Figure 1: NDI 12

### Connections NDI 11/12

- (1) Low batt display
- (2) Connection for cable reel
- (3) Connection for mains charger or car battery charging cable
- (4) Connection for data transfer (PC)



P075-NDI 12\_F003.jpg

Figure 2: Connections NDI 12

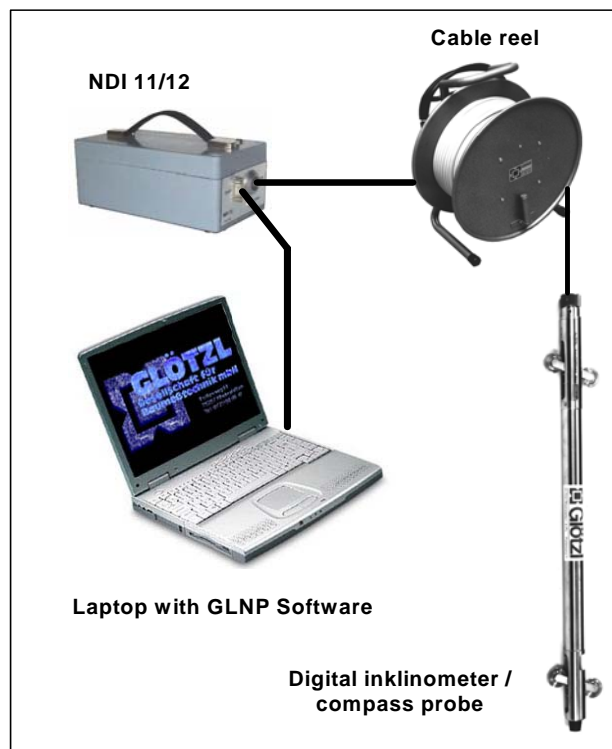


Figure 3: Measuring arrangement for inclinometer measurement with the NDI 11/12

The unit NDI 11/12 has an integrated 12V lead accumulator with which operating times of > 50 hours can be achieved.

If the capacity of the accumulator should not be sufficient, it is also possible to charge the NDI 11/12 from the car on-board supply (12V).

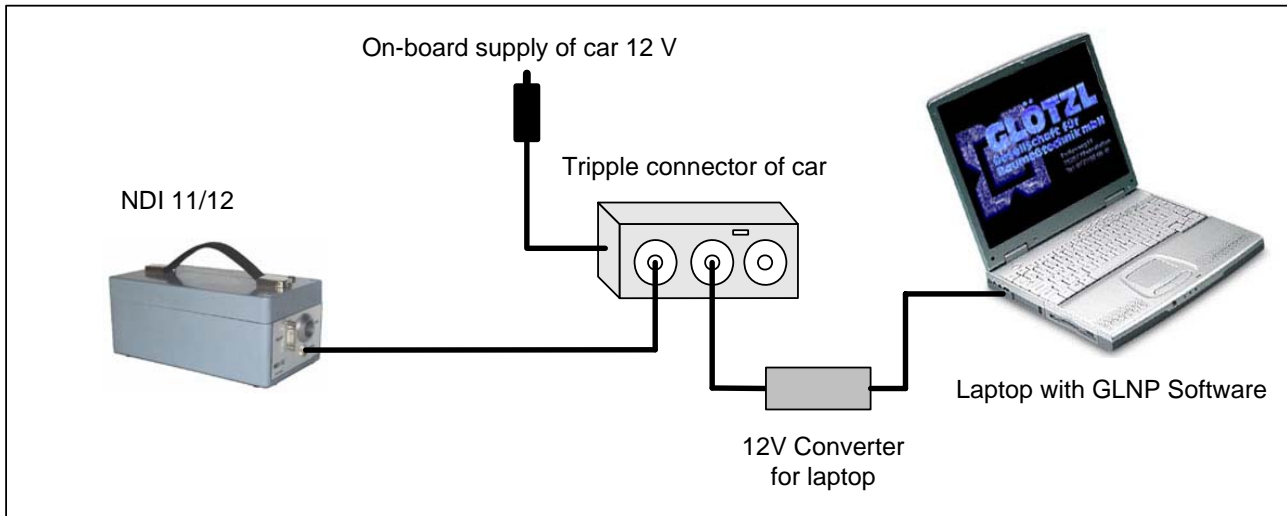


Figure 4: Assembly of energy supply from on-board supply of car

## Technical Data:

### NDI 11

- Accumulator: 12V/7.2Ah lead accu
- Operating time: > 25 hours with standard NMG D
- Charging time: < 15 hours with empty accu
- Interface: RS232
- Casing: Aluminium, IP 64,
- Dimensions: 170 x 115 x 210 mm (L x W x H)
- Weight: 4.9 kgs
- Operating temperature: -10 °C up to +50 °C

### NDI 12

- Accumulator: 12V/7.2Ah lead accu
- Operating time: > 50 hours with standard NMG D
- Charging time: < 40 hours with empty accu
- Interface: RS232
- Casing: Polyester, IP 54, splash-proof
- Dimensions: 220 x 120 x 90 mm (L x W x H)
- Weight: 4.0 kgs
- Operating temperature: -10 °C up to +50 °C

## Delivery Volume / Accessories:

- NDI 11 with integrated accu and charger
- Battery charging cable for car
- Serial cable SUB-D 9-core for connection to PC
- Transfer cable for connection to PC

## Delivery Volume / Accessories:

- NDI 12 with integrated accu
- Mains charger 12V/600mA with charging control display
- Battery charging cable for car
- Serial cable SUB-D 9-core for connection to PC

## Optional Accessories:

- Triple connector for car for simultaneous buffering of NDI 12 and laptop